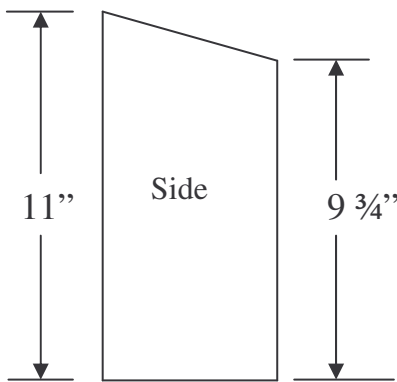
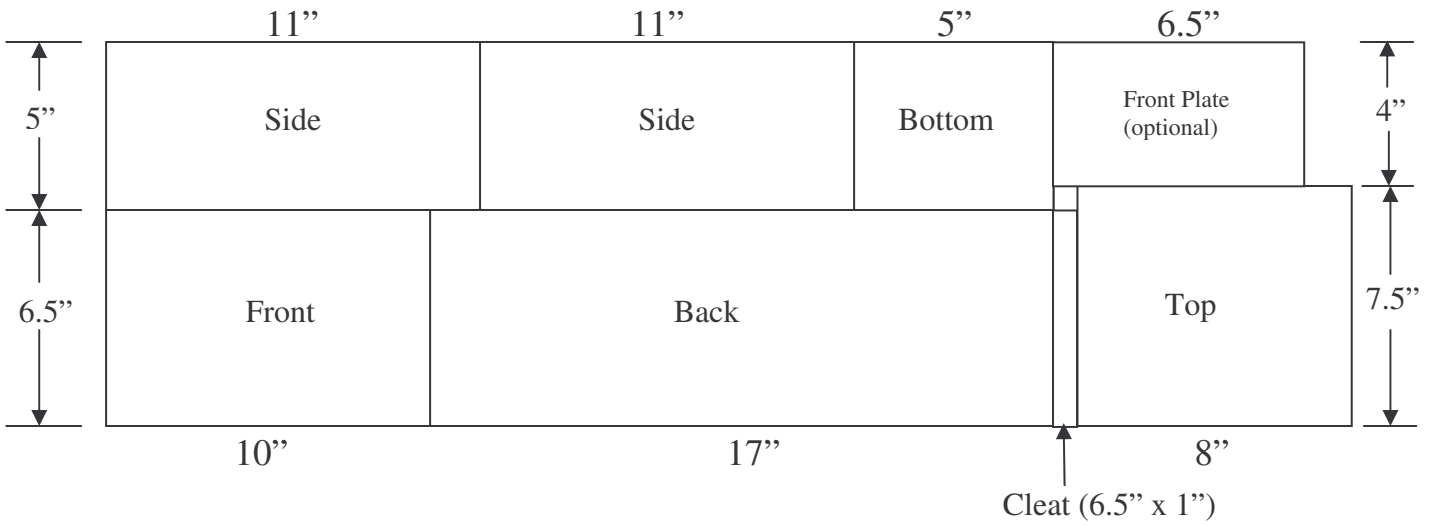
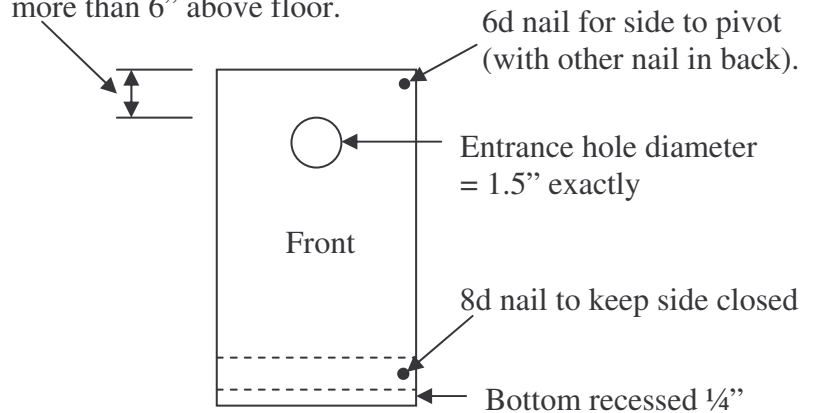


BLUEBIRD HOUSE

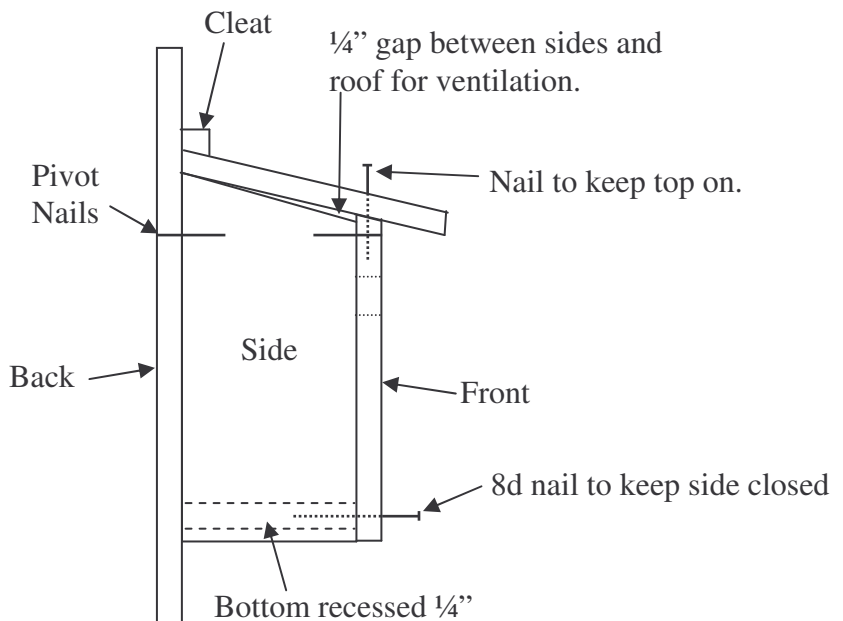
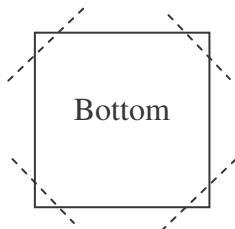
Drawing not to scale. Made from $\frac{3}{4}$ " plywood. Finish, exterior only, with spar varnish if you like. For inspection, the top is held in place only by the cleat and a galvanized nail, while one side pivots on 2 - 6d galvanized nails and is held closed with an 8d galvanized nail. The front, back & other side are glued and screwed together. The cleat is glued and screwed to the back. The optional Front Plate has a centered 1.5" hole and is glued and screwed to the front of the house centered on the entrance hole. Place the house about 5 feet off the ground with entrance facing away from the prevailing winds and storms. Bluebirds like margins, like a fence line. **Print this on legal size paper.**



Top of hole exactly $1 \frac{1}{4}$ " below top of front so that bottom of hole is more than 6" above floor.



Cut $\frac{3}{8}$ " off each corner for drainage.



~11° angle cuts: top of front, cleat, & back of roof.